

UDDEN FREESTANDING KITCHEN

DESIGN:

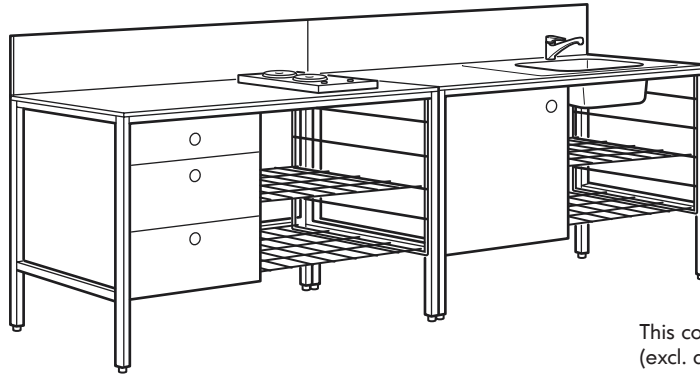
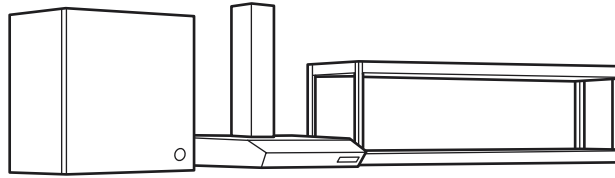
Ehlén Johansson

MATERIALS:

UDDEN is manufactured from stainless steel and lacquered steel. The wall cabinet, wall shelf, cabinet and drawer unit are available in a choice of white or black.

CARE & CLEANING:

Wipe stainless steel surfaces with a sponge or cloth after use, adding a mild non-abrasive detergent. Always wipe surfaces lengthways for an even, shiny finish.



This combination
(excl. appliances)

\$580

You can use components from the UDDEN series to create a well planned kitchen with room for all you need. Everything is freestanding – even the matching appliances.

UDDEN freestanding kitchen basically consists of two consoles: one with a sink, the other with a worktop in stainless steel. It's up to you to clothe this "naked" frame, using your choice of cabinets, drawer units, open wire shelves and back splash. Above it, you can hang an open wall shelf or a wall cabinet. The wall shelf, wall cabinet, cabinet and drawer unit come in white or black. Other parts are in stainless steel or silver-coloured, powder-coated steel. A flexible and economical system that's easy to expand, change and take with you when you move house.

The greatest advantage with UDDEN is its flexibility. Not only can you complement your existing kitchen with new units whenever you need, but you can also change your kitchen layout as often as you wish. You can even take your beloved kitchen with you when you move!

The kitchen is designed to look good and work well with a extractor hood, built-in oven, stove top, fridge/freezer from IKEA. And, of course, you can make smart use of every inch of storage space if you also choose shelves and wire baskets from the RATIONELL series of interior fittings.



Design and Quality
IKEA of Sweden

HOW TO BUILD UDDEN

First decide which kitchen layout best meets your needs. What functions do you require and how much storage space do you need?

Start, for example, with a sink unit on legs. You can choose to have the sink on the left or right. Or choose a console for an uninterrupted working surface.

Add a cabinet. It fits under the sink unit on either the right-hand

side or the left-hand side, whichever you prefer. Or choose a drawer unit if you prefer to store in drawers.

Then add a wire shelving unit beside the cabinet. To give your kitchen an impression of more space and light you may wish to choose shelves for open storage. Once the basics have been attended to, you can extend your kitchen with the functions and extra storage you need as and when you want.

WHY UDDEN?

You can fit a back splash panel to protect your walls and make it easier to keep your kitchen sparkling clean.

You'll find this shelf unit ideal for your microwave oven in the kitchen – and you'll find lots of other uses for it as well, all through the home.

The wall cabinet is ideal for storing glasses, plates, cookbooks etc. You can fit the doors to open left or right. How many wall cabinets you install depends on the wall space at your disposal.

You can turn the sink unit to have the sink itself on the left-hand or right-hand side – whichever suits you best.

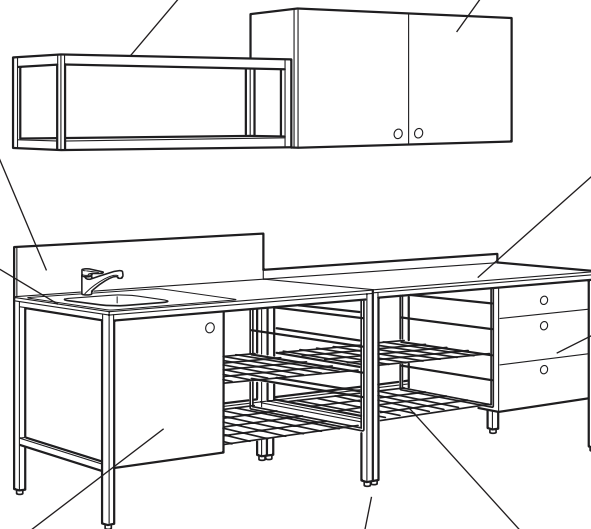
You can enjoy all the benefits of a countertop in stainless steel – a hygienic, hard-working, long-lasting surface that is easy to keep clean.

You can adjust the height of the shelf in the cabinet. Cabinets come in a black or white finish and may be used to house a built-in oven. You can also use shelves and wire baskets from the RATIONELL series of interior fittings to make maximum use of cupboard space.

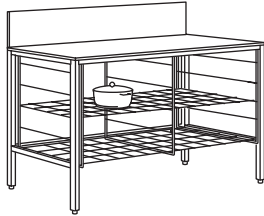
Under the sink unit or console you can install a drawer unit, cabinet or wire shelf depending on your storage needs. The drawer unit, for example, provides the perfect solution for storing cutlery and utensils.

You can always be sure that every unit stands firm and steady thanks to adjustable feet that compensate for uneven floors.

You can store frying pans, saucepans and other utensils you need easy access to on the open wire shelves. The shelves are adjustable.

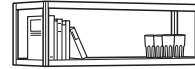


UDDEN SOLUTIONS



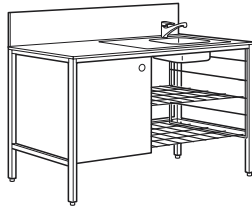
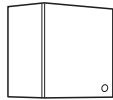
A proper work bench makes preparing food so much easier. Open shelves are ideal for storing things you use often – mixing bowls, saucepans etc. And a back splash not only protects your walls, but it also makes it easier to keep your kitchen spotlessly clean.

This combination \$176



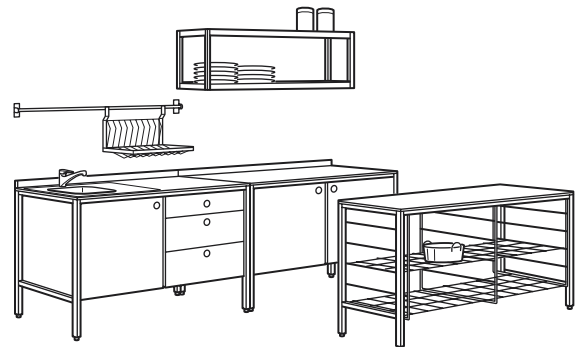
Complete the console with a cabinet and a drawer unit with smooth-running drawers. Use a wall shelf for storing glasses, cookbooks etc. All the components come in black and white. Just choose the colour that suits you and your kitchen best.

This combination \$316



All you need – in the minimum of space! A sink unit and back splash with a cabinet and wire shelving below is practical and provides storage for all sorts of kitchen utensils. A wall cabinet above gives you space for even more. The shelf in the wall cabinet is adjustable, so you can keep everything from small cans to tall recipe books neat and tidy and hidden out of sight.

This combination \$300

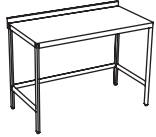


A sink unit and a work bench ensure you have all the surfaces you need to prepare food and wash up afterwards. Stand another work bench with its short end against the wall (without a back splash) and you also have a practical serving surface with access from two sides. A wall shelf provides a handy home for spices, herbs, cookbooks or whatever else you need close at hand in the kitchen.

This combination \$720

UDDEN ALL THE PARTS AND PRICES

Units have adjustable legs to stand safe and steady on uneven surfaces.
Width x Depth x Height.



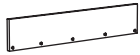
Console. Stainless steel countertop. Lacquered steel. Includes 1 low back splash height 4" (10 cm). 49% \times 25% \times 35% $\frac{3}{8}$ " (126x64x90 cm).

Silver-colour 800.596.52 **\$119**



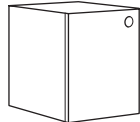
Single bowl sink with legs. Reversible sink in stainless steel: can be used with the bowl to the right or left. Lacquered steel. Includes 1 low back splash height 4" (10 cm). 49% \times 25% \times 35% $\frac{3}{8}$ " (126x64x90 cm).

Silver-colour 400.596.54 **\$139**



Back splash. Stainless steel. Thickness $\frac{3}{4}$ " (2 cm). 49% \times 13% $\frac{3}{8}$ " (126x34 cm).

700.596.57 **\$29**



Cabinet with door. 1 adjustable shelf; adapt spacing to your own storage needs. The door can be mounted to open left or right. Adapted for built-in oven. Handle and hinges included. The hinges are adjustable in height, depth and width. Particleboard in a white or black lacquered finish. 23% \times 23% \times 24% $\frac{3}{8}$ " (60x60x62 cm).

White 101.094.86 **\$59**

Black 301.086.45 **\$59**



Drawer unit. 3 smooth-running drawers with stop. Handles included. Particleboard in a white or black lacquered finish. Drawers in foil-covered particleboard with bottom in lacquered fibreboard. 23% \times 23% \times 24% $\frac{3}{8}$ " (60x60x62 cm).

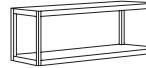
White 701.082.19 **\$99**

Black 901.082.18 **\$99**



Wire shelf. Lacquered steel. Silver-coloured finish. 2 adjustable shelves; adapt spacing to your own storage needs. 23% \times 18% \times 24% $\frac{3}{4}$ " (60x48x63 cm).

500.596.58 **\$14**



Wall shelf. Shelves of white or black lacquered board on frame. Lacquered steel. Silver-coloured finish. 49% \times 13% \times 15% $\frac{3}{4}$ " (126x34x40 cm).

White 901.094.87 **\$39**

Black 101.086.46 **\$39**



Wall cabinet. 1 adjustable shelf; adapt spacing to your own storage needs. The door can be mounted to open left or right. Handle and hinges included. The hinges are adjustable in height, depth and width. Particleboard in a white or black lacquered finish. 23% \times 14% \times 23% $\frac{3}{8}$ " (60x36x60 cm).

White 301.082.21 **\$39**

Black 501.082.20 **\$39**